

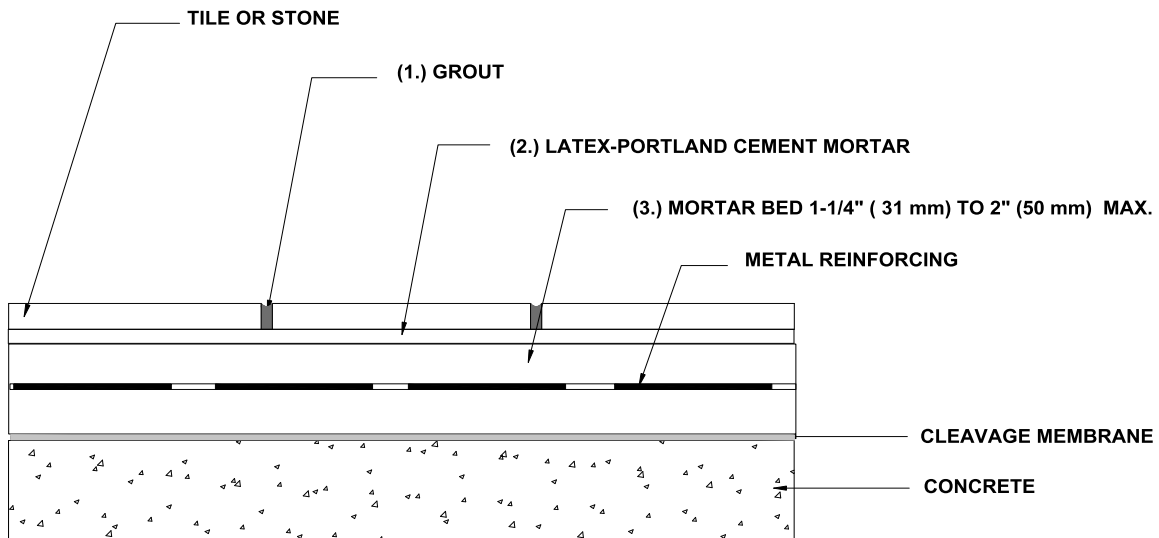
NF111

## Floors, Interior

Concrete Subfloor, Cleavage Membrane



**North American**  
**ADHESIVES®**



### North American Adhesives Products Assembly

1. **Grout Options:**
  - A. NA 4200
  - B. NA 4300
2. **Latex-Portland Cement:**
  - A. NA 3120 *Dual Set* mixed with NA 3000
3. **Mortar Bed:**
  - A. NA 840

Drawings are developed from the Tile Council of North America's (TCNA) *2011 TCA Handbook for Ceramic Tile Installation* and the Terrazzo, Tile and Marble Association of Canada's (TTMAC) *Tile Installation Manual*.

North American Adhesives products are listed as options and are substituted for TCA's and TTMAC's listed ANSI and ISO 13007 standards. Please refer to the referenced handbooks and current technical data sheets for complete instructions and application limitations.

Some installation methods and component materials are not referenced. The user is encouraged to consult all approved resources to ensure a complete assembly.

**TECHNICAL SERVICES: Toll-Free Phone: 1-800-637-7753**

[www.na-adhesives.com](http://www.na-adhesives.com)