

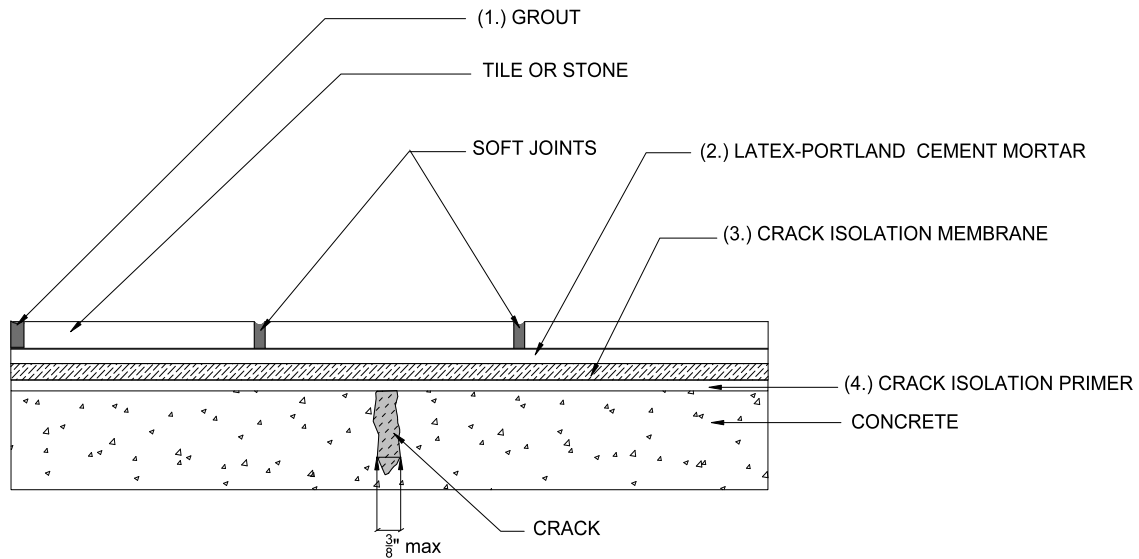
NF125A

Floors, Interior

Concrete Subfloor, Crack-Isolation Membrane, Full Coverage



North American
ADHESIVES®



North American Adhesives Product Assembly

- 1. Grout Options:**
 - A. NA 4200
 - B. NA 4300
- 2. Latex-Portland Cement Options:**
 - A. NA 3120 Dual Set mixed with NA 3000
 - B. NA 3220 Multi Flex
 - C. NA 3240 Rapid Flex
- 3. Crack-Isolation Membrane**
 - A. NA 1740
- 4. Crack-Isolation Primer**
 - A. NA 1510

Drawings are developed from the Tile Council of North America's (TCNA) 2011 *TCA Handbook for Ceramic Tile Installation* and the Terrazzo, Tile and Marble Association of Canada's (TTMAC) *Tile Installation Manual*.

North American Adhesives products are listed as options and are substituted for TCA's and TTMAC's listed ANSI and ISO 13007 standards. Please refer to the referenced handbooks and current technical data sheets for complete instructions and application limitations.

Some installation methods and component materials are not referenced. The user is encouraged to consult all approved resources to ensure a complete assembly.

TECHNICAL SERVICES: Toll-Free Phone: 1-800-637-7753

www.na-adhesives.com