

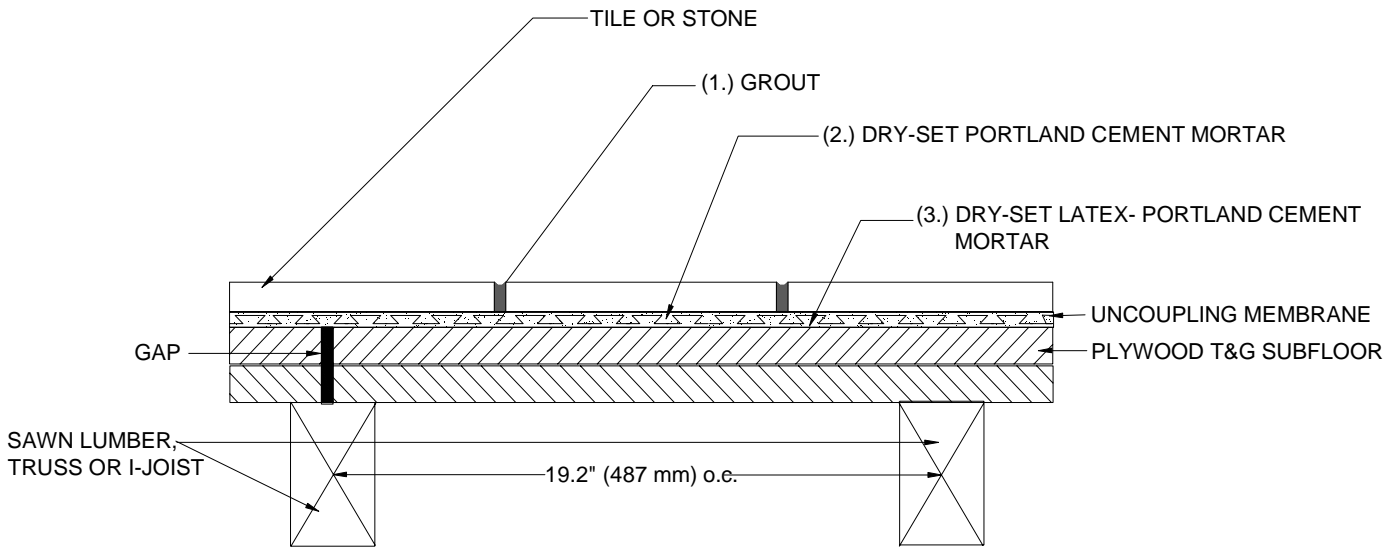
NF148

Floors, Interior

Wood Subfloor, Uncoupling Membrane,
19.2" (487 mm) o.c. Joist Spacing, Thin-Set



North American
ADHESIVES®



North American Adhesives Product Assembly

1. **Grout Options:**
 - A. NA 4200
 - B. NA 4300
 - C. MAPEI's *Keracolor™ S* or *Keracolor U*
2. **Dry-Set Portland Cement:**
 - A. NA 3120 *Dual Set*
3. **Latex-Portland Cement:**
 - A. NA 3240 *Rapid Flex*

Note: Please follow uncoupling membrane manufacturer's recommendation for mortar and bond coats.

Drawings are developed from the Tile Council of North America's (TCNA) *2011 TCA Handbook for Ceramic Tile Installation* and the Terrazzo, Tile and Marble Association of Canada's (TTMAC) *Tile Installation Manual*.

North American Adhesives products are listed as options and are substituted for TCA's and TTMAC's listed ANSI and ISO 13007 standards. Please refer to the referenced handbooks and current technical data sheets for complete instructions and application limitations.

Some installation methods and component materials are not referenced. The user is encouraged to consult all approved resources to ensure a complete assembly.

TECHNICAL SERVICES: Toll-Free Phone: 1-800-637-7753

www.na-adhesives.com